

500mA Low Noise, Fast Transient Response LDO with Adjustable Output Voltage

DESCRIPTION

ETA5050 is a 500mA low noise and fast transient response linear regulator with adjustable output voltage and ultra low dropout voltage. Its output voltage is programmed by a resistor divider, and can be as low as 0.8V, which satisfies the most advanced ICs which may require supply voltage to be 0.9V – 1.2V.

ETA5050 consists of a precise voltage reference, an error amplifier, a compensation network and a low ON-resistance power P-MOSFET. It also integrates many protection circuitry, like current limit and over-temperature protection module.

ETA5050 is in a tiny SOT23-5 package.

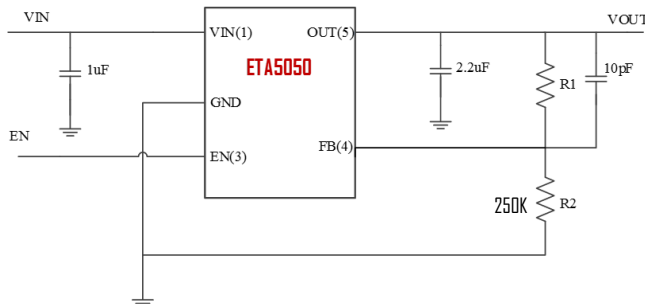
FEATURES

- 500mA output current
- Adjustable output voltage
- Minimum output voltage as low as 0.8V
- Ultra low dropout voltage 370mV @ 500mA
- Low quiescent current 40uA
- <1uA shutdown current
- Short-circuit protection
- Over-temperature protection

APPLICATIONS

- Any battery powered electronic devices
- Other AC powered device which needs an adjustable output voltage thru LDOs

TYPICAL APPLICATION



ORDERING INFORMATION

PART	PACKAGE PIN	TOP MARK	Top Mark Explanation
ETA5050S2F	SOT23-5	FAYW	FA = Product Code, YW = Date Code